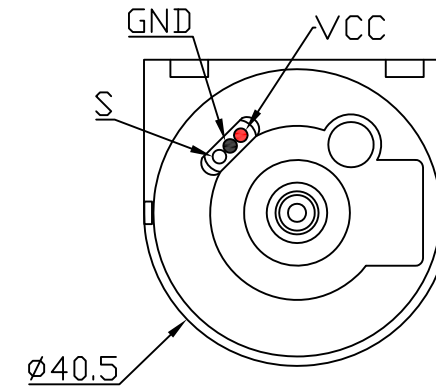
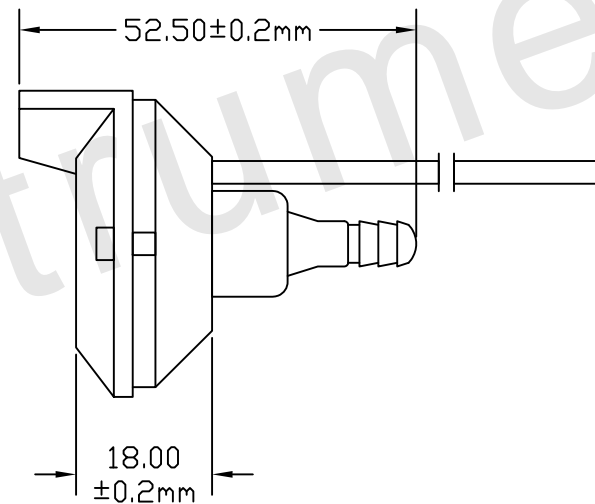
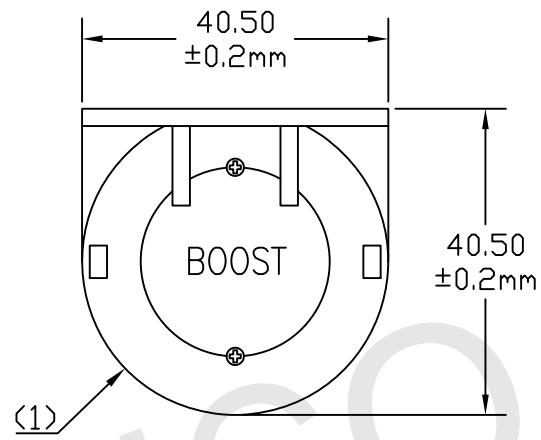
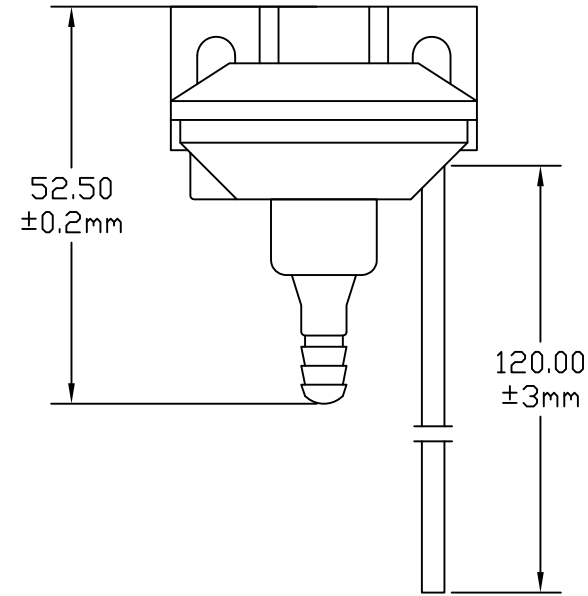


RevNo	Revision note	Date	Signature	Checked
A				

NOTES:

1. Operating voltage : 12V
2. Check voltage :  $13.5V \pm 0.1V$
3. Check temp  $^{\circ}C$  :  $25^{\circ}C \pm 5^{\circ}C$
4. Operating temperature :  $-20^{\circ}C$  to  $85^{\circ}C$
5. Output Voltage : 0-5V
6. Input Pressure : -1 to 2 Bar



UNIT: mm

NO.	PART NAME	DESCRIPTION	COLOR	Q'TY	REMARKS
1	Housing	ABS	Black	1	

 瑞克儀錶有限公司 RICO Instrument Co., Ltd.	
FILE NAME	BOOST-E SENSOR Datasheet.dwg
SIZE	52.5mm X 40.5mm
DRAWN	10/11/2020
CHECK	
APPR.	10/11/2020
ISSUED	10/11/2020
REV	A
CONTRACT NO	
SHEET	SCALE
DWG NO	
BOOST-E SENSOR-A	